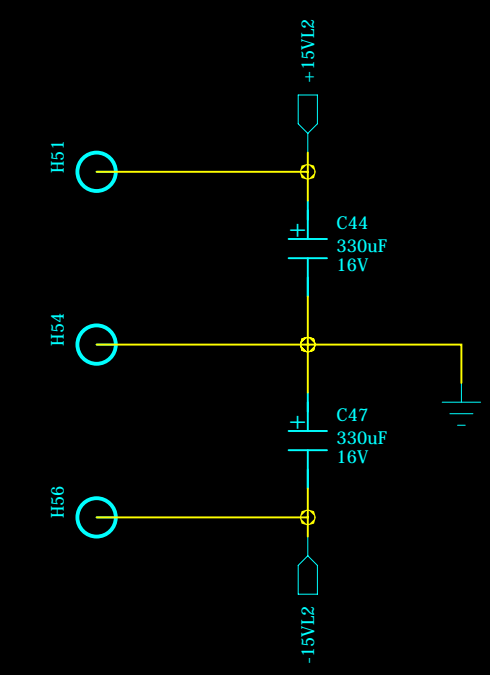
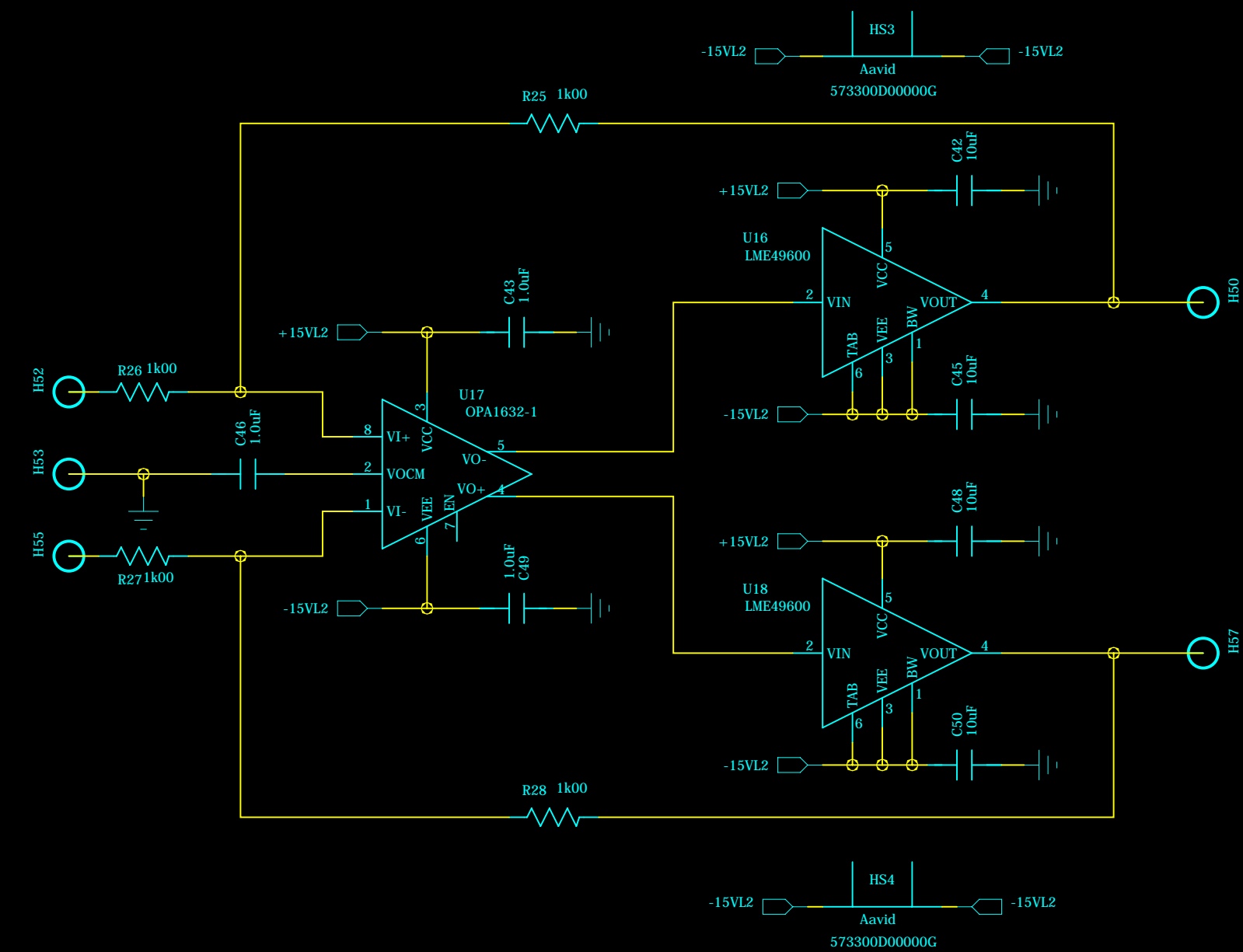
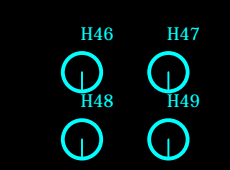
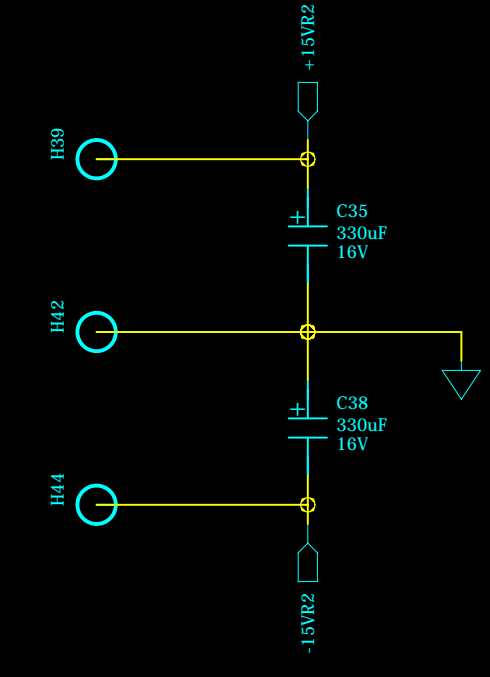
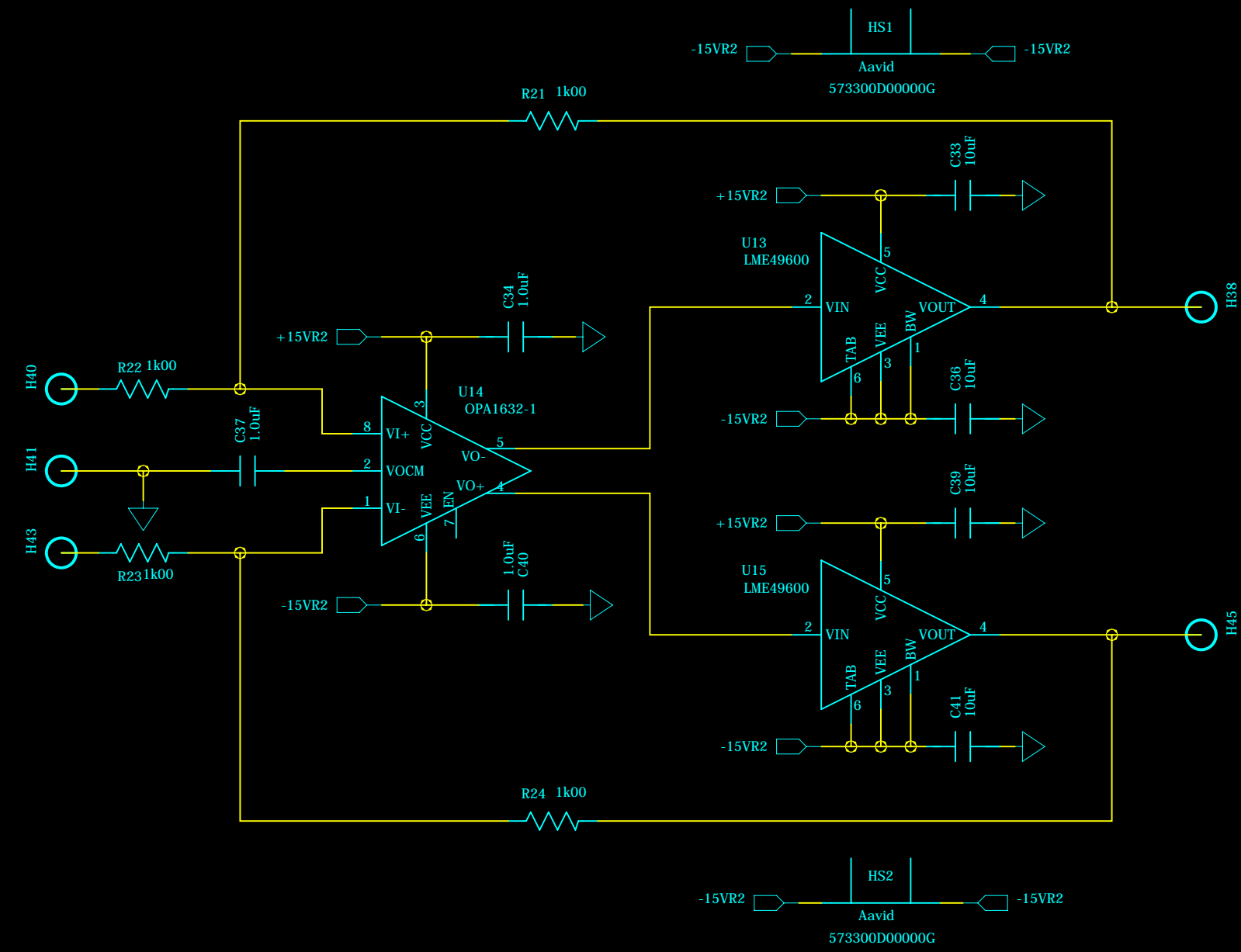






REVISION RECORD			
LTR	ECO NO.	APPROVED:	DATE:



COMPANY:				
TITLE:				
DRAWN:	DATED:	CODE:	SIZE:	DRAWING NO.:
CHECKED:	DATED:			REV:
QUALITY CONTROL:	DATED:	SCALE:		SHEET: OF
RELEASED:	DATED:			

